

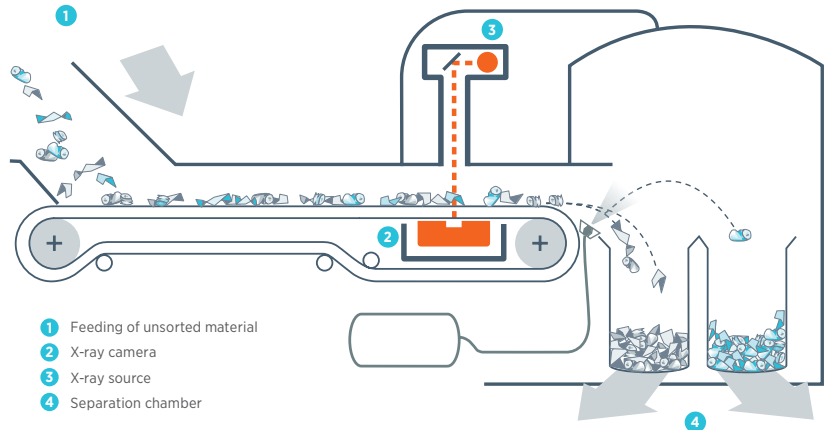
# X-TRACT

ADVANCED SENSOR-BASED  
SORTING TECHNOLOGY  
FOR OPTIMIZED RESULTS



# X-TRACT

With the **largest worldwide installment base in the market**, TOMRA Sorting's X-TRACT benefits from robust and field-proven application knowledge across a variety of metals markets. Advanced technology, coupled with TOMRA's exclusive software development, enables effective sorting of the **highest throughput** with **top-quality yield**. Customers can capitalize on their yield with the **best quality of secondary resources** available in the industry. High resolution sensor placement means **optimized results** - with even the most varied mix and smallest grain size.

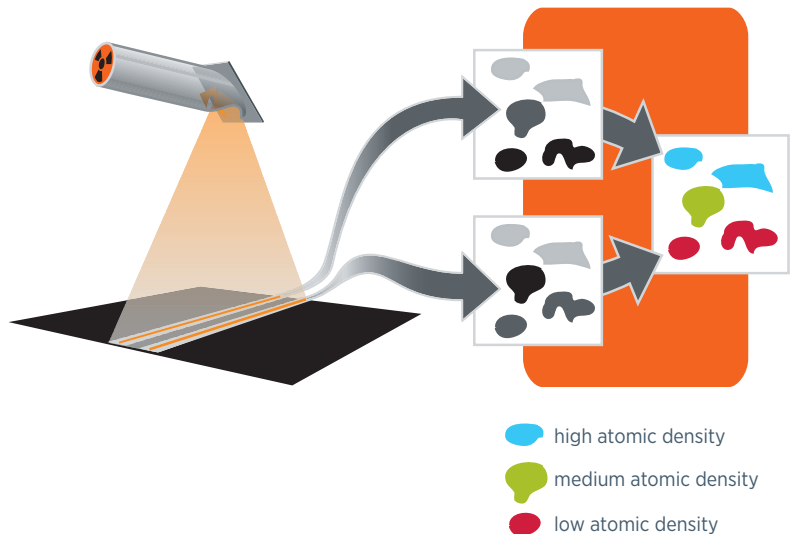


# THE TOMRA DIFFERENCE: EXCLUSIVE TECHNOLOGY

YOU AIM FOR PREMIUM PRODUCT YIELD. TOMRA'S **ADVANCED DUOLINE®** TECHNOLOGY HELPS YOU GET THERE.

Combined with XRT technology, TOMRA's DUOLINE® sensors, which use two independent devices with different spectral sensitivities, leads to **superior recognition of secondary resources** – irrespective of the input material density. Through TOMRA's exclusive high-speed X-ray processing technology, customers benefit from an exceptional level of resolution, making it possible to identify even the **smallest particles in highest throughput** situations. Through this precision, customers benefit from a **high degree of purity** and **constant premium quality output** – even in the most difficult mixed fractions.

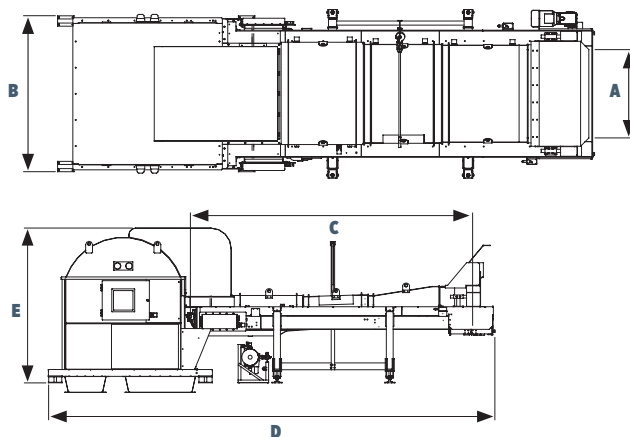
ALL OF THIS ENSURES GREATER PROFITABILITY OF YOUR PRODUCT OUTPUT.



# X-TRACT: FLEXIBLE CONFIGURATIONS

	1200	2400
<b>A</b>	1,200 mm	2,400 mm
<b>B</b>	1,900 mm	3,560 mm
<b>C</b>	4,160 mm	5,170 mm
<b>D</b>	6,535 mm	7,770 mm
<b>E</b>	2,265 mm	2,580 mm

Valves	Nozzle Pitches
TS200	6.25 (1:1)
TS400	6.25 (1:1)
TS1500	6.25 (1:2)



## APPLICATIONS & SENSOR CONFIGURATIONS

Application	Sensor Configuration	Description
Aluminum	Extended, Standard	Sorting out Heavy Metals and Aluminum alloys with Heavy Metal content.
Zorba	Extended, Standard	Sorting out Heavy Metals and Aluminum alloys with Heavy Metal content.
Wood Chips	Basic	Sorting out impurities like Tones, Glass, Rubber etc. from Wood waste.
Organic Waste	Basic	Sorting out impurities like Stones, Glass, Bones etc. from Organic waste.
Flame Retardents & PVC	Basic	Sorting out flame retardant Plastics from E-Scrap.
CRT Glass	Extended	Sorting out Lead Glass.

# THE X-TRACT ADVANTAGE

---

**HIGH THROUGHPUT AND  
HIGH PURITY** RESULTS IN  
HIGH PROFITS

---

**INCOMPARABLE RELIABILITY  
AND PEAK PERFORMANCE**  
RESULTING FROM ROBUST  
MACHINERY

**EXCEPTIONAL CONSISTENCY  
OF SUPERIOR YIELD**  
THROUGH EXCLUSIVE  
TECHNOLOGY

---

**PROVEN APPLICATION-  
SPECIFIC SOLUTIONS** THANKS  
TO THE MOST EXTENSIVE  
INDUSTRY EXPERIENCE

**MAXIMUM SECONDARY  
RESOURCE RECOVERY** IN  
ALL COMPLEXITY LEVELS  
OF METAL APPLICATIONS

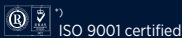
---

**SUPERIOR ALL-AROUND  
SERVICE SUPPORT** WITH  
TOMRA CARE

AS A TECHNOLOGY LEADER, TOMRA SORTING RECYCLING CONTINUES TO BE PIONEER IN SENSOR-BASED SORTING IN THE WASTE AND METAL RECYCLING INDUSTRIES. WITH OVER 4,400 UNITS INSTALLED IN MORE THAN 50 COUNTRIES, OUR EXPERTISE AND SUPERIOR SERVICE ALLOW US TO DELIVER HIGH-PERFORMANCE SORTING AND ANALYTICAL SOLUTIONS TO OUR CUSTOMERS IN A BROAD RANGE OF APPLICATIONS.

Find out why:

[www.tomra.com/recycling](http://www.tomra.com/recycling)



We print on 100% recycled paper.  
TOMRA Sorting's innovations are  
helping to produce it.

#### Recycling Hub

TOMRA Sorting GmbH\*)  
Otto-Hahn-Strasse 6  
56218 Mülheim-Kärlich  
Germany  
Phone: +49 2630 9652 0  
Fax: +49 2630 9652 101  
[recycling-sorting@tomra.com](mailto:recycling-sorting@tomra.com)

#### UK & Ireland

TOMRA Sorting LTD  
53-55 Queens Road  
Loughborough  
LE11 1HA  
United Kingdom  
Phone: + 44 1509 23 22 39  
Fax: +44 203 481 1323  
[info-uk@tomrasorting.com](mailto:info-uk@tomrasorting.com)

#### United Arab Emirates

TOMRA Sorting JLT  
Unit No. 3702-21, floor No. 37,  
Mayfair Executive Offices JLT,  
Jumeirah Business Center 2,  
Jumeirah Lake Towers  
Dubai  
United Arab Emirates  
Phone: +971 4 3745744